

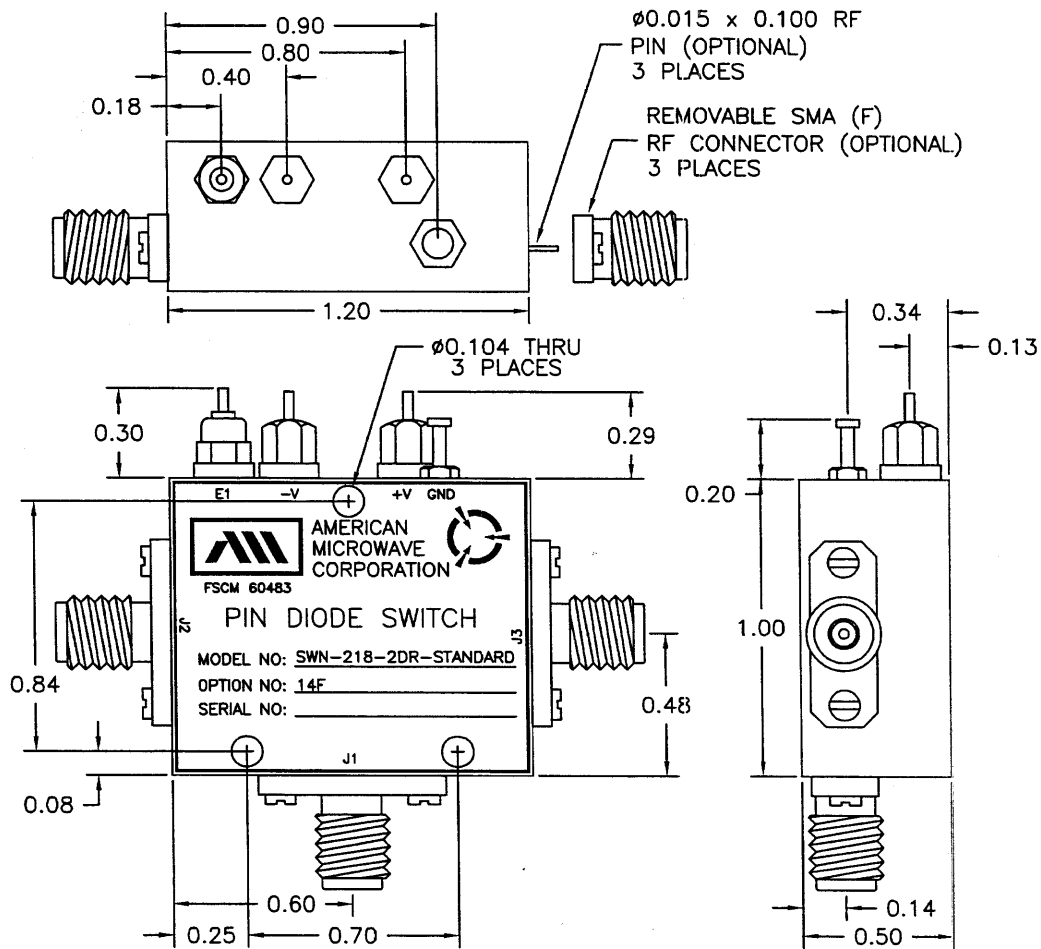
DESCRIPTION:

AMC MODEL SWN-218-2DR-STANDARD OPTION 14F IS A SINGLE POLE TWO THROW, REFLECTIVE SWITCH MODULE OPTIMIZED FOR A FREQUENCY RANGE OF 10.5 TO 14.5 GHZ. IT HAS VERY LOW INSERTION LOSS, HIGH ISOLATION, AND AN INTEGRAL TTL DRIVER.

ZONE		REV.	DESCRIPTION	DATE	APPROVED
		-	ORIGINAL RELEASE JOB# 408186X	10/08/04	<i>ES</i>

SPECIFICATIONS:

- FREQUENCY: 10.5 TO 14.5 GHz
- INSERTION LOSS: 2.5 dB MAX
- ISOLATION: 10.5 TO 14.5 GHz: 70db
- VSWR: REFLECTIVE IN/OUT: 2.0:1
- SPEED: RISE: 10ns TYPICAL, 15ns MAX.
FALL: 10ns TYPICAL, 15ns MAX.
DELAY ON: 75ns TYPICAL, 100ns MAX.
DELAY OFF: 75ns TYPICAL, 100ns MAX.
- POWER INPUT: (CW)+20dBm
- SURVIVAL POWER: 1 WATT CW, 10 WATTS PEAK 1 usec
- CONTROL: TTL LOGIC "0"= J1-J2 ON "1"= J1-J3 ON
- POWER SUPPLY: +5V @ 100 mA MAX.
-5V @ 75 mA MAX.
- CONNECTORS:
RF SMA FEMALE
CONTROL SMC CONNECTOR
- SIZE: 1.20" (L) x 1.00" (W) x 0.50" (H)
- WEIGHT: 1.5 OUNCE TYPICAL



ENVIRONMENTAL RATINGS:

- TEMPERATURE: -55°C TO +85°C (OPERATING)
-65°C TO +125°C (STORAGE)
- HUMIDITY: MIL-STD-202F, METHOD 103B COND. B
- SHOCK: MIL-STD-202F, METHOD 213B COND. B
- VIBRATION: MIL-STD-202F, METHOD 204D COND. B
- ALTITUDE: MIL-STD-202F, METHOD 105C COND. B
- TEMPERATURE CYCLE: MIL-STD-202F, METHOD 107D COND. A

NOTE: SPECIFICATIONS WILL VARY OVER OPERATING TEMPERATURE
NOTE: THE ABOVE SPECIFICATIONS ARE SUBJECT TO CHANGE OR REVISION

ALL DIMENSIONS ARE IN INCHES
TOLERANCES:
X.XX ±0.020
X.XXX ±0.010

AMERICAN MICROWAVE CORPORATION

7311-G GROVE ROAD
FREDERICK, MARYLAND 21704 USA
TEL: 301-662-4700 FAX: 301-662-4938
WEBSITE: www.americanmicrowavecorp.com
E-MAIL: sales@americanmicrowavecorp.com
ISO 9001:2000 CERTIFIED

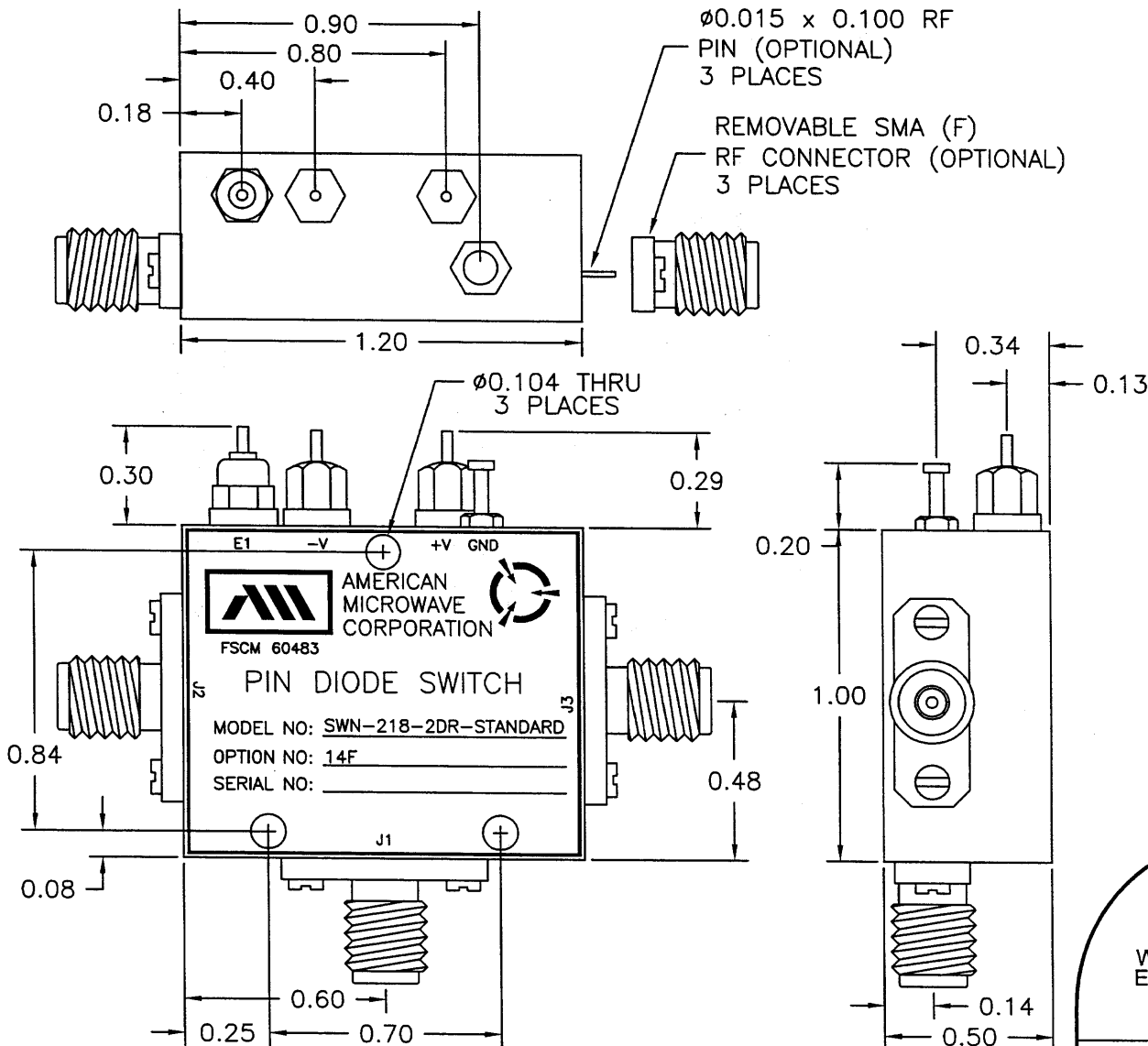


APPROVALS		DATE	TITLE			
DRAWN <i>ESB</i>		10/08/04	PRODUCT FEATURE SWN-218-2DR-STANDARD OPTION: 14F 10.5 TO 14.5 GHz SINGLE POLE TWO THROW SWITCH			
CHECKED <i>lt</i>		10/16/04	SIZE	FSCM N°.	DWG NO.	REV.
ISSUED			A	60483	100-7154	-
			SCALE	SHEET		
			N:S	1 OF 3		

DESCRIPTION:

AMC MODEL SWN-218-2DR-STANDARD OPTION 14F IS A SINGLE POLE TWO THROW, REFLECTIVE SWITCH MODULE OPTIMIZED FOR A FREQUENCY RANGE OF 10.5 TO 14.5 GHZ. IT HAS VERY LOW INSERTION LOSS, HIGH ISOLATION, AND AN INTEGRAL TTL DRIVER.

REVISIONS				
ZONE	REV.	DESCRIPTION	DATE	APPROVED
	-	ORIGINAL RELEASE JOB# 408186X	10/08/04	



MECHANICAL OUTLINE

ALL DIMENSIONS ARE IN INCHES
TOLERANCES:
X.XX ±0.020
X.XXX ±0.010

AMERICAN MICROWAVE CORPORATION

7311-G GROVE ROAD
FREDERICK, MARYLAND 21704 USA
TEL: 301-662-4700 FAX: 301-662-4938
WEBSITE: www.americanmicrowavecorp.com
E-MAIL: sales@americanmicrowavecorp.com
ISO 9001:2000 CERTIFIED



APPROVALS		DATE	TITLE		
DRAWN <i>EJB</i>		10/08/04	MECHANICAL OUTLINE SWN-218-2DR-STANDARD OPTION: 14F		
CHECKED <i>PL</i>		12/16/04	SIZE	FSCM NO.	DWG NO.
ISSUED			A	60483	100-7154
SCALE N:S			SHEET 2 OF 3		